



Professional streetlight luminaire for LED light sources. Luminaire with twilight sensor.

TECHNICAL DATA

Mounting: on pillar $\varnothing 60/48\text{mm}$, on outriggers $\varnothing 60/48\text{mm}$

Body: high pressure die-cast aluminum

Lateral Surface Wind Exposed: 0.044 m^2

Colour: gray

Diffuser: tempered glass

ELECTRICAL DATA

Power supply efficiency: $>95\%$

Power: 220-240V 50/60Hz

Includes light source: yes

Type of equipment: ED, NEMA socket, twilight sensor

Electrical connection: max $3 \times 2,5\text{ mm}^2$ wire, max $2 \times 2,5\text{ mm}^2$ wire

OPTICAL DATA

Way of lighting: direct

Type of optic: O2 - for express roads, O3 - for local roads, O4 - for town roads, O5 - for residential area roads, O6P - for pedestrian crossings, right side traffic, O6L - for pedestrian crossings, left side traffic, O7 - for area lighting, O8 - for town and local roads

ULOR / DLOR: 0% / 100%

GENERAL DATA

Lifetime (L80B10): 100 000 h

Available on request: DALI, DIM 1..10V, LLOC, knife switch, 10kV surge protection, NTC, access to the driver chamber without the use of tools

Additional information: Tilt adjustment jump: -15° to $+15^\circ$ (every 5°)

Other remarks: the pole is not part of the luminaire

Warranty: 5 years

Application: express roads, local roads, town roads, residential area roads, pedestrian crossings, area lighting, avenues, promenade, cycle paths



Code	Luminaire power [W]	Lumen luminaire [lm]	Efficacy [lm/W]	Colour temperature [K]	CRI/Ra	Operating temperature range [°C]
130222.5L42X.0X1.X	29	3000	103	3000	>70	-40 ... +55
130222.5L01X.0X1.X	29	3150	109	4000	>70	-40 ... +55
130222.5L02X.0X1.X	29	3150	109	5700	>70	-40 ... +55
130222.5L43X.0X1.X	37	3950	107	3000	>70	-40 ... +55
130222.5L13X.0X1.X	37	4100	111	4000	>70	-40 ... +55
130222.5L14X.0X1.X	37	4100	111	5700	>70	-40 ... +55
130222.5L44X.0X1.X	55	5900	107	3000	>70	-40 ... +55
130222.5L04X.0X1.X	55	6100	111	4000	>70	-40 ... +55
130222.5L05X.0X1.X	55	6100	111	5700	>70	-40 ... +55
130222.5L45X.0X1.X	80	9200	115	3000	>70	-40 ... +50
130222.5L07X.0X1.X	80	9550	119	4000	>70	-40 ... +50
130222.5L08X.0X1.X	80	9550	119	5700	>70	-40 ... +50
130222.5L46X.0X1.X	106	12100	114	3000	>70	-40 ... +45
130222.5L10X.0X1.X	106	12550	118	4000	>70	-40 ... +45
130222.5L11X.0X1.X	106	12550	118	5700	>70	-40 ... +45

Luminous flux tolerance $\pm 10\%$.

Power tolerance $\pm 5\%$.

Lighting beam, light intensity distribution and light efficiency were examined in accordance with the EN ISO 17025:2005 norm for EN13032 norm series and the LM-79 norm.

Please note that the standard luminaire is not intended for use in an environment with a high degree of salinity. If it is required to adapt the luminaire to work in such an environment, please contact our Sales Department to confirm the possibility of using an additional protective coating.

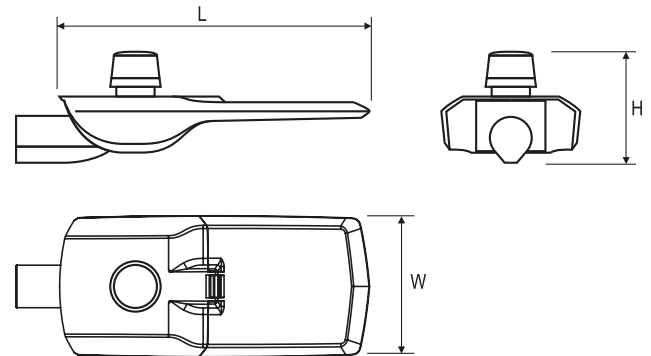
Date of issue: 11-6-2018

The LUG Company reserves right to introduce any construction changes and improvements into the lighting luminaires

130222.5L01 □ .0 □ 1. 986

- Type of luminaires
986 Luminaire with twilight sensor
- Type of optic
- 1 O2 - for express roads
 - 2 O3 - for local roads
 - 3 O4 - for town roads
 - 4 O5 - for residential area roads
 - 5 O6P - for pedestrian crossings, right side traffic
 - 9 O6L - for pedestrian crossings, left side traffic
 - 6 O7 - for area lighting
 - 8 O8 - for town and local roads
- Protection Class
- 1 I
 - 2 II

Code	Dimensions [mm] L W H	Pallet quantity	Quantity in package	Net weight [kg]
130222.5L42X.0X1.X	550 250 195	20	1	7.0
130222.5L01X.0X1.X	550 250 195	20	1	7.0
130222.5L02X.0X1.X	550 250 195	20	1	7.0
130222.5L43X.0X1.X	550 250 195	20	1	7.0
130222.5L13X.0X1.X	550 250 195	20	1	7.0
130222.5L14X.0X1.X	550 250 195	20	1	7.0
130222.5L44X.0X1.X	550 250 195	20	1	7.0
130222.5L04X.0X1.X	550 250 195	20	1	7.0
130222.5L05X.0X1.X	550 250 195	20	1	7.0
130222.5L45X.0X1.X	550 250 195	20	1	7.0
130222.5L07X.0X1.X	550 250 195	20	1	7.0
130222.5L08X.0X1.X	550 250 195	20	1	7.0
130222.5L46X.0X1.X	550 250 195	20	1	7.0
130222.5L10X.0X1.X	550 250 195	20	1	7.0
130222.5L11X.0X1.X	550 250 195	20	1	7.0



OTHER PICTURES



ACCESSORIES



150170.00817

Reducer 60/76 mm


 □ 150170.00818
 ■ 150173.00906

Wall bracket ø60mm

Luminous flux tolerance +/- 10%.
Power tolerance +/- 5%.

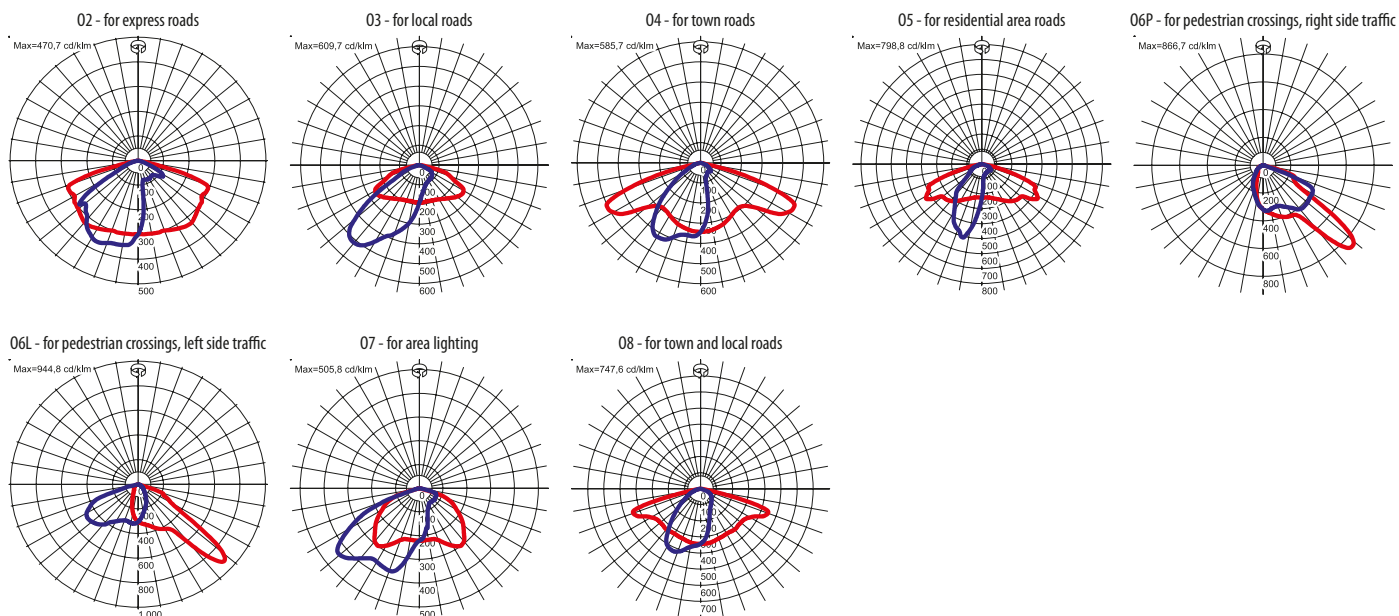
Lighting beam, light intensity distribution and light efficiency were examined in accordance with the EN ISO 17025:2005 norm for EN13032 norm series and the LM-79 norm.

Please note that the standard luminaire is not intended for use in an environment with a high degree of salinity. If it is required to adapt the luminaire to work in such an environment, please contact our Sales Department to confirm the possibility of using an additional protective coating.

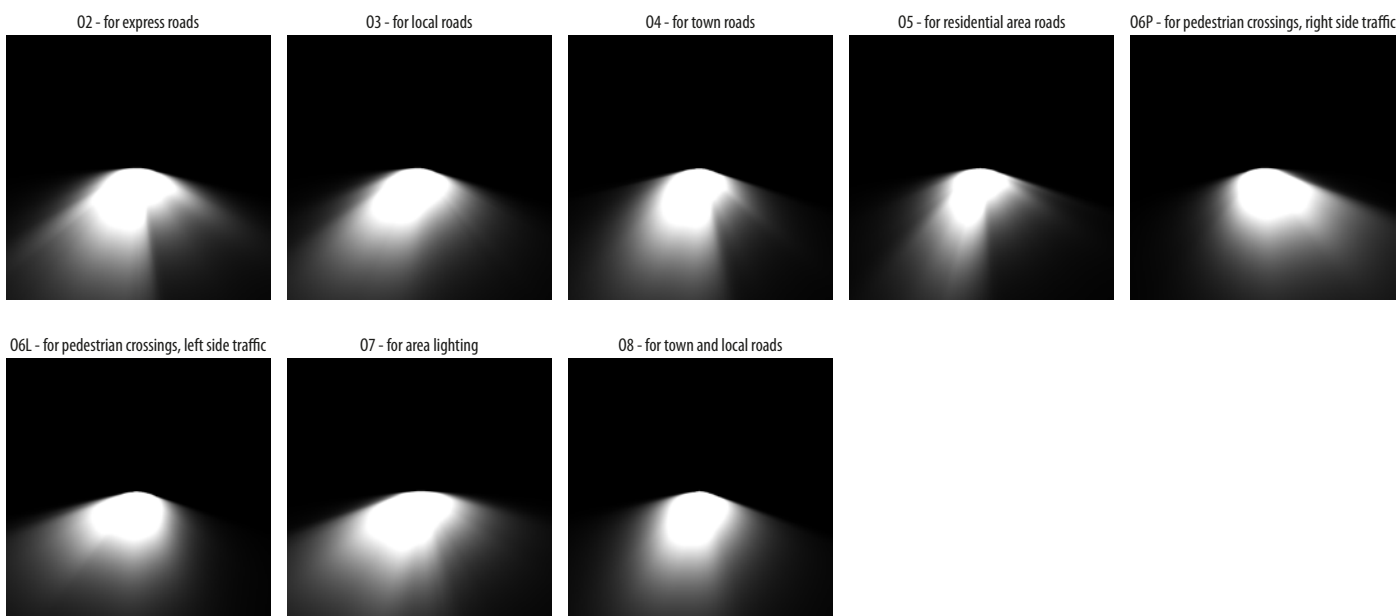
Date of issue: 11-6-2018

The LUG Company reserves right to introduce any construction changes and improvements into the lighting luminaires

LIGHT BEAM CURVES



WAY OF LIGHTING



Luminous flux tolerance +/- 10%.
Power tolerance +/- 5%.

Lighting beam, light intensity distribution and light efficiency were examined in accordance with the EN ISO 17025:2005 norm for EN13032 norm series and the LM-79 norm.

Please note that the standard luminaire is not intended for use in an environment with a high degree of salinity. If it is required to adapt the luminaire to work in such an environment, please contact our Sales Department to confirm the possibility of using an additional protective coating.

Date of issue: 11-6-2018

The LUG Company reserves right to introduce any construction changes and improvements into the lighting luminaires

OTHER PROJECTS



Slawa, Lubuskie voivodeship, Poland

Zjednoczenia Avenue, Zielona Góra, Poland

Luminous flux tolerance +/- 10%.
Power tolerance +/- 5%.

Lighting beam, light intensity distribution and light efficiency were examined in accordance with the EN ISO 17025:2005 norm for EN13032 norm series and the LM-79 norm.

Please note that the standard luminaire is not intended for use in an environment with a high degree of salinity. If it is required to adapt the luminaire to work in such an environment, please contact our Sales Department to confirm the possibility of using an additional protective coating.

Date of issue: 11-6-2018

The LUG Company reserves right to introduce any construction changes and improvements into the lighting luminaires